

NAME:

MINISTRY OF EDUCATION, HERITAGE & ARTS

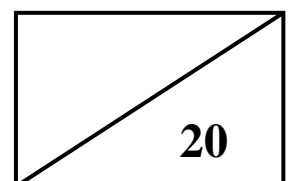
WORKSHEET 2 YEAR 10 2021

BASIC TECHNOLOGY & BASIC GRAPHIC TECHNOLOGY

STRAND 1: GEOMETRY

INSTRUCTIONS:

1. Use your exercise book to do the question given below.
2. All measurements are in millimeters.
3. Show all construction lines clearly.

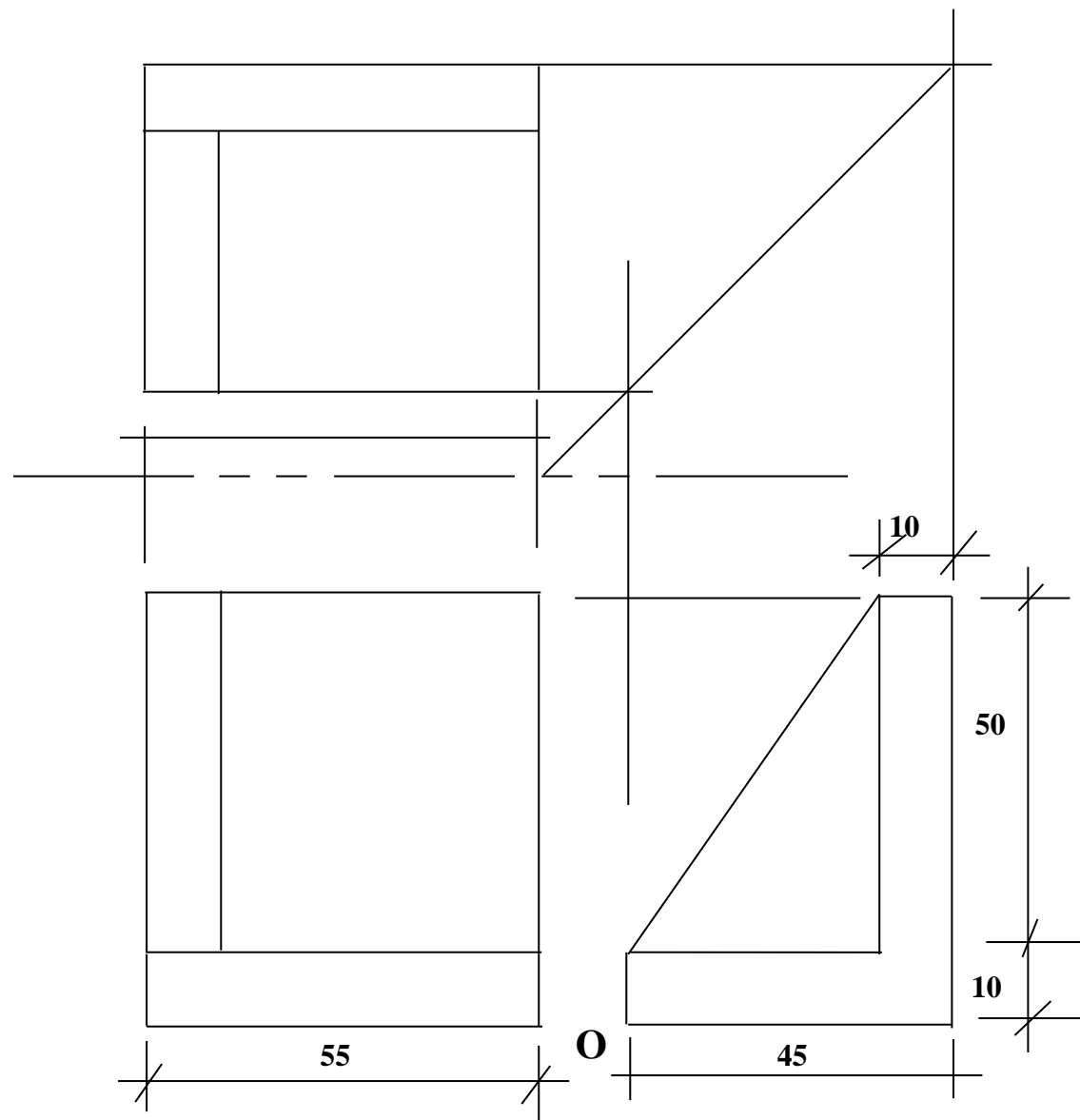


SECTION B

QUESTION 1 ORTHOGRAPHIC PROJECTION (20 marks)

Given: The Orthographic views of a shaped block in 3rd Angle projection.

- Required:**
- (i) Label the 3 views correctly **(5 marks)**
 - (ii) Using the orthographic views below, draw the pictorial drawing in Oblique. Take the measurements from the drawing. Use O as your starting point. **(15 marks)**



BQ1(i)			
1	Correct Guide line	2	
2	Correct Printing	2	
3	Correct line work	1	
BQ1(ii)			
4	Correct create	3	
5	Correct dimensioning	3	
6	Neatness	2	
7	Correct drawing	4	
8	Correct linework	3	

